

A

B

C

D

E

F

G

1

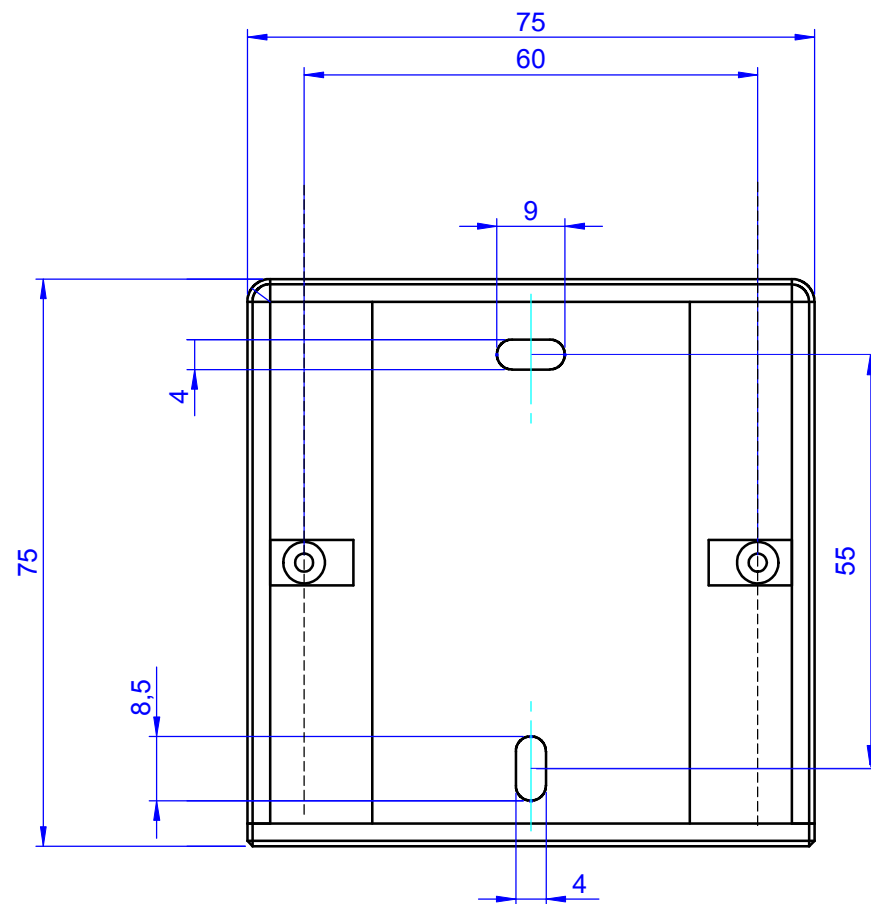
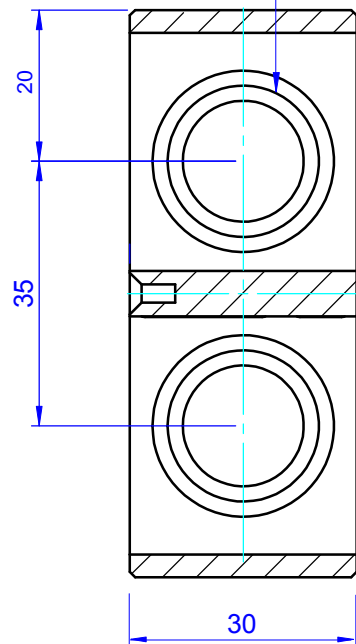
2

3

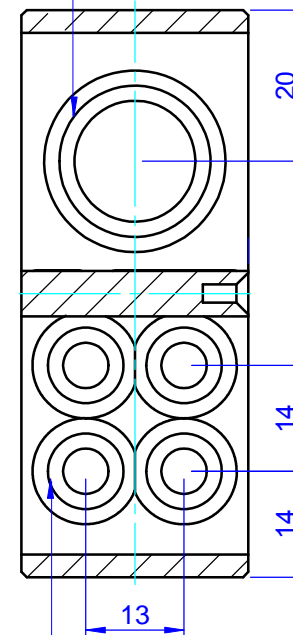
4

5

2 x Push-Out Ø 20



Push-Out Ø 20



4 x Push-Out Ø 10

